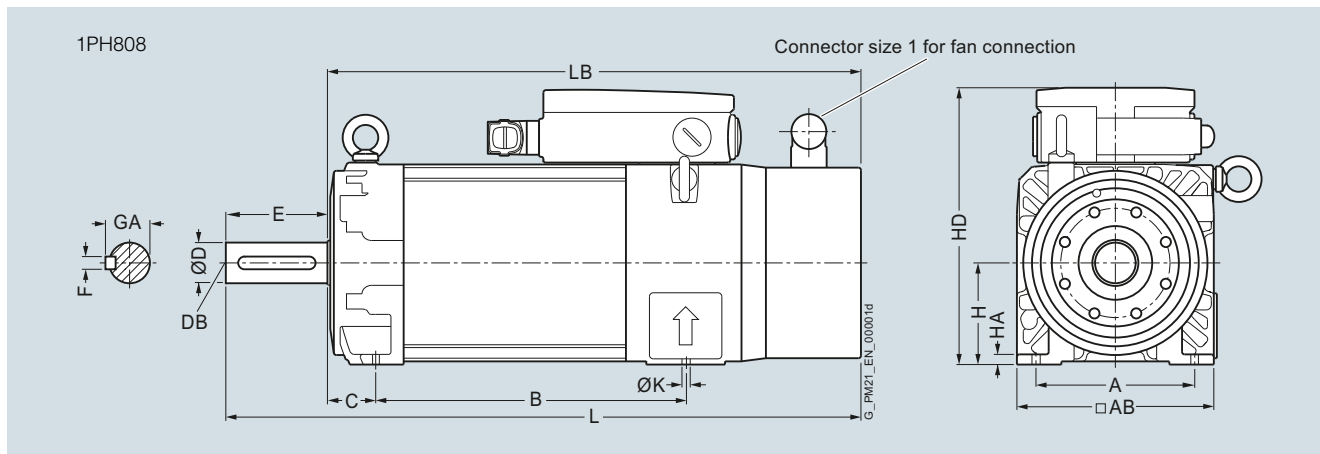


SIMOTICS motors

Dimensional drawings

SIMOTICS M-1PH8 asynchronous motors – SH 80 – Forced ventilation

Dimensional drawings

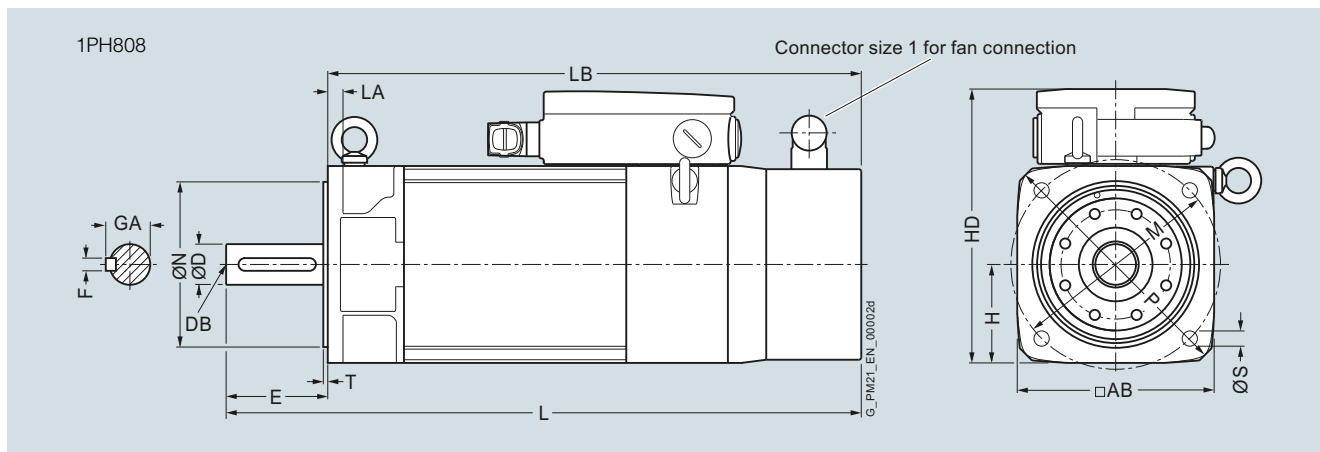


For motor Dimensions in mm (inches)

Shaft height	Type	IEC	Dimensions in mm (inches)										Shaft extension DE				
			A	AB	B	C	H	HA	HD	L	LB	K	D	DB	E	F	GA

1PH8, type of construction IM B3, forced ventilation

80	1PH8083		125 (4.92)	155 (6.10)	194 (7.64)	38 (1.50)	80 (3.15)	8 (0.31)	216 (8.50)	455 (17.91)	375 (14.76)	10 (0.39)	32 (1.26)	M12	80 (3.15)	10 (0.39)	35 (1.38)
	1PH8087				244 (9.61)					505 (19.88)	425 (16.73)						



For motor Dimensions in mm (inches)

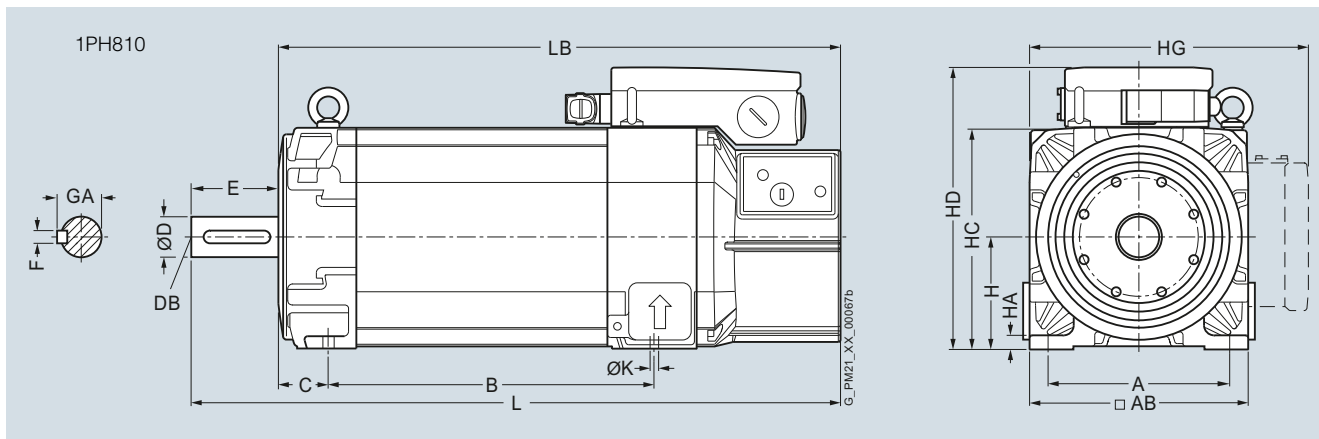
Shaft height	Type	IEC	Dimensions in mm (inches)											Shaft extension DE				
			AB	H	HD	L	LA	LB	M	N	P	S	T	D	DB	E	F	GA

1PH8, type of construction IM B5, forced ventilation

80	1PH8083		155 (6.10)	77.5 (3.05)	213.5 (8.41)	455 (17.91)	12 (0.47)	375 (14.76)	165 (6.50)	130 (5.12)	200 (7.87)	12 (0.47)	3.5 (0.14)	32 (1.26)	M12	80 (3.15)	10 (0.39)	35 (1.38)
	1PH8087					505 (19.88)		425 (16.73)										

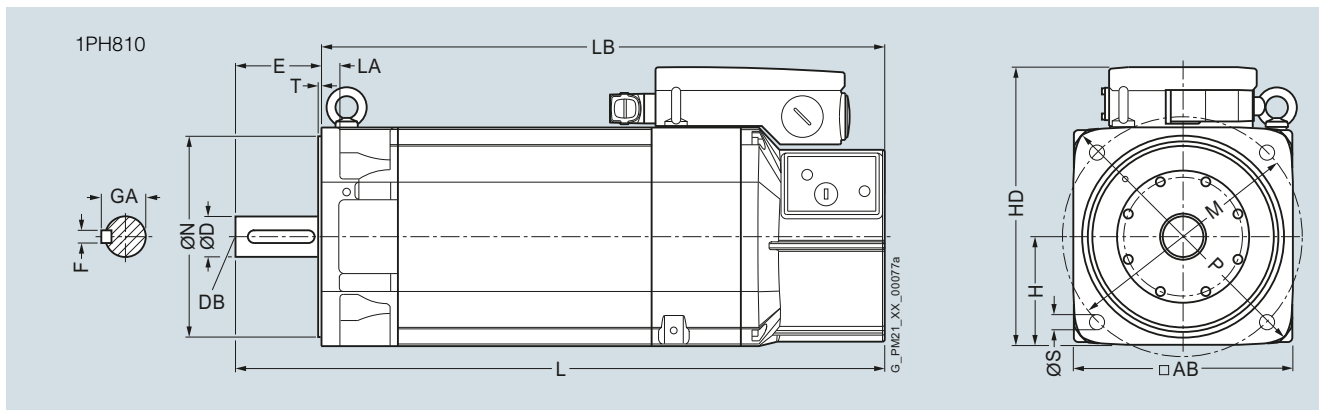
SIMOTICS M-1PH8 asynchronous motors – SH 100 – Forced ventilation

Dimensional drawings



For motor Dimensions in mm (inches)

Shaft height	Type	IEC A	AB	C	B	H	HA	HC	HD	HG	K	L	LB	Shaft extension DE				
														D	DB	E	F	GA
1PH8, type of construction IM B3, forced ventilation																		
100	1PH8101	160 (6.30)	196 (7.72)	43 (1.69)	167 (6.57)	100 (3.94)	11 (0.43)	198 (7.80)	252 (9.92)	276.5 (10.89)	12 (0.47)	449.5 (17.70)	369.5 (14.55)	38 (1.50)	M12	80 (3.15)	10 (0.39)	41 (1.61)
	1PH8103				202.5 (7.97)							485 (19.09)	405 (15.94)					
	1PH8105				262 (10.31)							544.5 (21.44)	464.5 (18.29)					
	1PH8107				297.5 (11.71)							580 (22.83)	500 (19.69)					



For motor Dimensions in mm (inches)

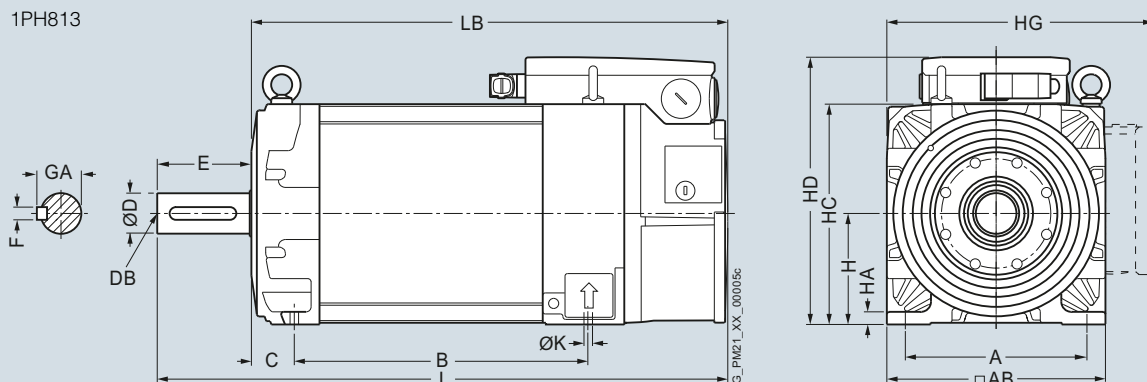
Shaft height	Type	IEC AB	H	HD	L	LA	LB	M	N	P	S	T	Shaft extension DE				
													D	DB	E	F	GA
1PH8, type of construction IM B5, forced ventilation																	
100	1PH8101	196 (7.72)	98 (3.86)	250 (9.84)	449.5 (17.70)	16 (0.63)	369.5 (14.55)	215 (8.46)	180 (7.09)	250 (9.84)	14 (0.55)	4 (0.16)	38 (1.50)	M12	80 (3.15)	10 (0.39)	41 (1.61)
	1PH8103				485 (19.09)		405 (15.94)										
	1PH8105				544.5 (21.44)		464.5 (18.29)										
	1PH8107				580 (22.83)		500 (19.69)										

SIMOTICS motors

Dimensional drawings

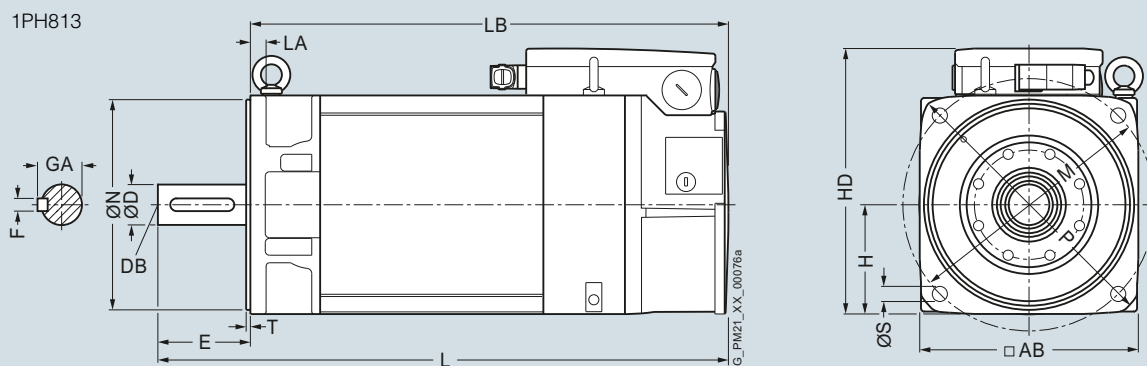
SIMOTICS M-1PH8 asynchronous motors – SH 132 – Forced ventilation

Dimensional drawings



For motor Dimensions in mm (inches)

Shaft height	Type	IEC	Shaft extension DE															
			A	AB	B	C	H	HA	HC	HD	HG	K	L	LB	D	DB	E	F
1PH8, type of construction IM B3, forced ventilation																		
132	1PH8131	216	260	220.5	53	132	15	262	317.5	357.5	12	549	439	48	M16	110	14	51.5
		(8.50)	(10.24)	(8.68)	(2.09)	(5.20)	(0.59)	(10.31)	(12.50)	(14.07)	(0.47)	(21.61)	(17.28)	(1.89)		(4.33)	(0.55)	(2.03)
	1PH8133			265.5								594	484					
				(10.45)								(23.39)	(19.06)					

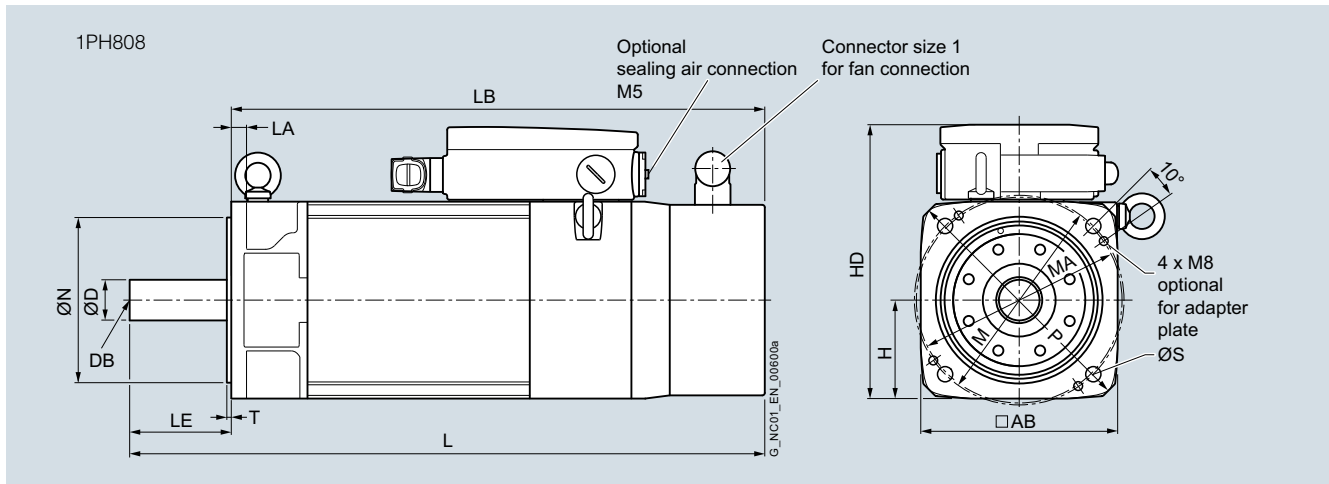


For motor Dimensions in mm (inches)

Shaft height	Type	IEC														Shaft extension DE				
			AB	H	HD	L	LA	LB	M	N	P	S	T	D	DB	E	F	GA		
1PH8, type of construction IM B5, forced ventilation																				
132	1PH8131	260	130	315.5	549	18	439	300	250	340	18	5	48	M16	110	14	51.5			
		(10.24)	(5.12)	(12.42)	(21.61)	(0.71)	(17.28)	(11.81)	(9.84)	(13.39)	(0.71)	(0.20)	(1.89)		(4.33)	(0.55)	(2.03)			
	1PH8133				594		484													
					(23.39)		(19.06)													

SIMOTICS M-1PH8 Premium Performance asynchronous motors – SH 80 – Forced ventilation – Solid shaft

Dimensional drawings



For motor		Dimensions in mm (inches)													Shaft extension DE		
Shaft height	Type	IEC AB	H	HD	L	LA	LB	M	MA	N	P	S	T	D	DB	LE	
1PH8 Premium Performance, type of construction IM B5, forced ventilation, solid shaft																	
80	1PH8081	155 (6.10)	77.5 (3.05)	213.5 (8.41)	375 (14.75)	12 (0.45)	325 (12.80)	165 (6.50)	162 (6.38)	130 (5.12)	200 (7.87)	12 (0.47)	3.5 (0.14)	24 (0.94)	M6	50 (1.97)	
	1PH8083				425 (16.73)		375 (14.75)										
	1PH8087				475 (18.70)		425 (16.73)										

