

Dimensional drawings

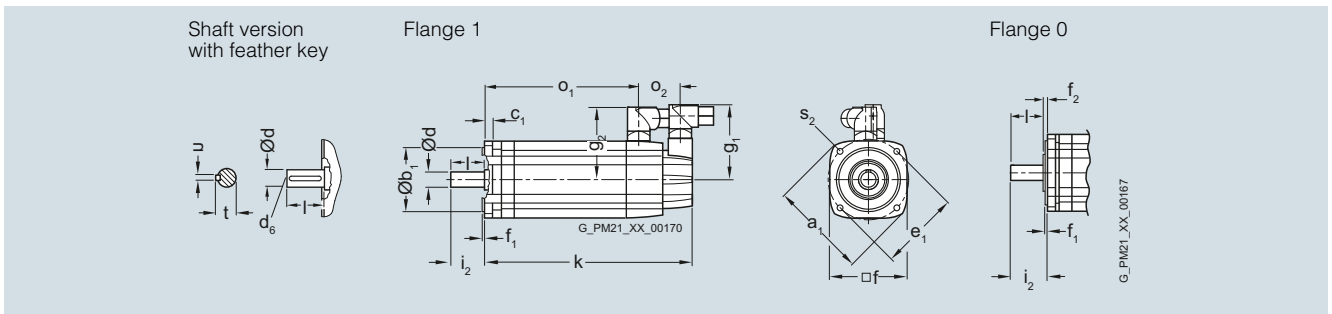
SIMOTICS S synchronous motors for SINAMICS S120

1FT7 without DRIVE-CLiQ – Natural cooling

Dimensional drawings

For motor		Dimensions in mm (inches)													Connector size		Shaft extension DE				
Shaft height	Type	DIN IEC	a ₁ P	b ₁ N	c ₁ LA	e ₁ M	f AB	f ₁ T	o ₂ -	s ₂ S	g ₁ -	g ₂ -	g ₂ -	Size 1		Size 1.5					
														d	d ₆	l E	t GA	u F			
1FT7 natural cooling, with connector, without/with brake																					
36	1FT703 . -5A		90 (3.54)	60 (2.36)	8 (0.31)	75 (2.95)	72 (2.83)	3 (0.12)	48 (1.89)	6.5 (0.26)	77 (3.03)	80 (3.15)	-	14 (0.55)	M5	30 (1.18)	16 (0.63)	5 (0.20)			
48	1FT704 . -5A		120 (4.72)	80 (3.15)	10 (0.39)	100 (3.94)	96 (3.78)	3 (0.12)	53 (2.09)	6.5 (0.26)	93 (3.66)	90 (3.54)	-	19 (0.75)	M6	40 (1.57)	21.5 (0.85)	6 (0.24)			
63	1FT706 . -5A		155 (6.10)	110 (4.33)	10 (0.39)	130 (5.12)	126 (4.96)	3.5 (0.14)	53 (2.09)	9 (0.35)	93 (3.66)	104 (4.09)	-	24 (0.94)	M8	50 (1.97)	27 (1.06)	8 (0.31)			
80	1FT708 . -5A		195 (7.68)	130 (5.12)	11.5 (0.45)	165 (6.50)	155 (6.10)	3.5 (0.14)	51 (2.01)	11 (0.43)	93 (3.66)	119 (4.69)	140 (5.51)	32 (1.26)	M12	58 (2.28)	35 (1.38)	10 (0.39)			
100	1FT710 . -5A		245 (9.65)	180 (7.09)	13 (0.51)	215 (8.46)	196 (7.72)	4 (0.16)	56 (2.20)	14 (0.55)	93 (3.66)	-	160 (6.30)	38 (1.50)	M12	80 (3.15)	41 (1.61)	10 (0.39)			

Shaft height	Type	DIN IEC	Flange 0				Flange 1 (1FT6-compatible)						
			f ₂ -	i ₂ -	without brake k LB	with brake o ₁ -	i ₂ -	without brake k LB	with brake o ₁ -				
36	1FT7034		5.5 (0.22)	36.5 (1.44)	189 (7.44)	127 (5.00)	216 (8.50)	154 (6.06)	30 (1.18)	195 (7.68)	133 (5.24)	222 (8.74)	160 (6.30)
	1FT7036				237 (9.33)	175 (6.89)	264 (10.39)	202 (7.95)		243 (9.57)	181 (7.13)	270 (10.63)	208 (8.19)
48	1FT7042		5.5 (0.22)	46 (1.81)	163 (6.42)	96 (3.78)	195 (7.68)	128 (5.04)	40 (1.57)	169 (6.65)	102 (4.02)	201 (7.91)	134 (5.28)
	1FT7044				213 (8.39)	146 (5.75)	245 (9.65)	178 (7.01)		219 (8.62)	152 (5.98)	251 (9.88)	184 (7.24)
	1FT7046				253 (9.96)	186 (7.32)	285 (11.22)	218 (8.58)		259 (10.20)	192 (7.56)	291 (11.46)	224 (8.82)
63	1FT7062		6 (0.24)	56.5 (2.22)	167 (6.57)	99 (3.90)	202 (7.95)	135 (5.31)	50 (1.97)	173 (6.81)	106 (4.17)	208 (8.19)	141 (5.55)
	1FT7064				198 (7.80)	131 (5.16)	233 (9.17)	166 (6.54)		205 (8.07)	137 (5.39)	240 (9.45)	173 (6.81)
	1FT7066				230 (9.06)	162 (6.38)	265 (10.43)	198 (7.80)		236 (9.29)	169 (6.65)	272 (10.71)	204 (8.03)
	1FT7068				277 (10.91)	210 (8.27)	312 (12.28)	245 (9.65)		284 (11.18)	216 (8.50)	319 (12.56)	252 (9.92)
80	1FT7082		6 (0.24)	64.5 (2.54)	184 (7.24)	124 (4.88)	241 (9.49)	176 (6.93)	58 (2.28)	196 (7.72)	130 (5.12)	248 (9.76)	183 (7.20)
	1FT7084				236 (9.29)	175 (6.89)	293 (11.54)	228 (8.98)		247 (9.72)	182 (7.17)	299 (11.77)	234 (9.21)
	1FT7086				287 (11.30)	227 (8.94)	345 (13.58)	279 (10.98)		299 (11.77)	234 (9.21)	351 (13.82)	286 (11.26)
100	1FT7102		6.5 (0.26)	87 (3.43)	209 (8.23)	144 (5.67)	266 (10.47)	196 (7.72)	80 (3.15)	221 (8.70)	151 (5.94)	273 (10.75)	203 (7.99)
	1FT7105				296 (11.65)	231 (9.09)	353 (13.90)	283 (11.14)		307 (12.09)	238 (9.37)	360 (14.17)	290 (11.42)
	1FT7108				365 (14.37)	300 (11.81)	422 (16.61)	352 (13.86)		377 (14.84)	307 (12.09)	429 (16.89)	359 (14.13)



6

Dimensional drawings

SIMOTICS S synchronous motors for SINAMICS S120

1FT7 with DRIVE-CLiQ – Natural cooling

Dimensional drawings

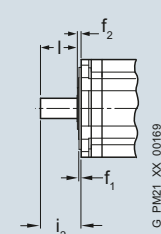
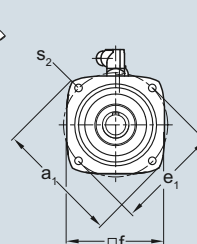
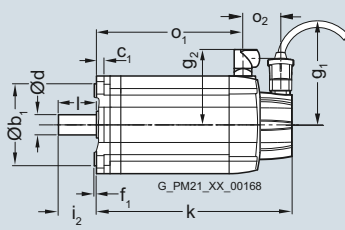
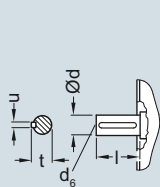
For motor		Dimensions in mm (inches)											Connector size		Shaft extension DE				
Shaft height	Type	DIN IEC	a ₁ P	b ₁ N	c ₁ LA	e ₁ M	f AB	f ₁ T	o ₂ –	s ₂ S	g ₁ –	g ₂ –	g ₂ –	Size 1 Size 1.5		l E	t GA	u F	
														d	d ₆				
1FT7 natural cooling, with connector, without/with brake																			
36	1FT703 .-5A		90 (3.54)	60 (2.36)	8 (0.31)	75 (2.95)	72 (2.83)	3 (0.12)	48 (1.89)	6.5 (0.26)	104.5 (4.11)	80 (3.15)	–	14 (0.55)	M5	30 (1.18)	16 (0.63)	5 (0.20)	
48	1FT704 .-5A		120 (4.72)	80 (3.15)	10 (0.39)	100 (3.94)	96 (3.78)	3 (0.12)	53 (2.09)	6.5 (0.26)	104.5 (4.11)	90 (3.54)	–	19 (0.75)	M6	40 (1.57)	21.5 (0.85)	6 (0.24)	
63	1FT706 .-5A		155 (6.10)	110 (4.33)	10 (0.39)	130 (5.12)	126 (4.96)	3.5 (0.14)	53 (2.09)	9 (0.35)	104.5 (4.11)	104 (4.09)	–	24 (0.94)	M8	50 (1.97)	27 (1.06)	8 (0.31)	
80	1FT708 .-5A		195 (7.68)	130 (5.12)	11.5 (0.45)	165 (6.50)	155 (6.10)	3.5 (0.14)	51 (2.01)	11 (0.43)	104.5 (4.11)	119 (4.69)	140 (5.51)	32 (1.26)	M12	58 (2.28)	35 (1.38)	10 (0.39)	
100	1FT710 .-5A		245 (9.65)	180 (7.09)	13 (0.51)	215 (8.46)	196 (7.72)	4 (0.16)	56 (2.20)	14 (0.55)	104.5 (4.11)	–	160 (6.30)	38 (1.50)	M12	80 (3.15)	41 (1.61)	10 (0.39)	

Shaft height	Type	DIN IEC	Flange 0				Flange 1 (1FT6-compatible)						
			without brake		with brake		without brake		with brake				
			f ₂ –	i ₂ –	k LB	o ₁ –	k LB	o ₁ –	i ₂ –	k LB	o ₁ –	k LB	o ₁ –
36	1FT7034		5.5 (0.22)	36.5 (1.44)	189 (7.44)	127 (5.00)	216 (8.50)	154 (6.06)	30 (1.18)	196 (7.72)	133 (5.24)	223 (8.78)	160 (6.30)
	1FT7036				237 (9.33)	175 (6.89)	264 (10.39)	202 (7.95)		244 (9.61)	181 (7.13)	271 (10.67)	208 (8.19)
48	1FT7042		5.5 (0.22)	46 (1.81)	158 (6.22)	96 (3.78)	190 (7.48)	128 (5.04)	40 (1.57)	164 (6.46)	102 (4.02)	196 (7.72)	134 (5.28)
	1FT7044				208 (8.19)	146 (5.75)	240 (9.45)	178 (7.01)		214 (8.43)	152 (5.98)	246 (9.69)	184 (7.24)
	1FT7046				248 (9.76)	186 (7.32)	280 (11.02)	218 (8.58)		254 (10.00)	192 (7.56)	286 (11.26)	224 (8.82)
63	1FT7062		6 (0.24)	56.5 (2.22)	161 (6.34)	99 (3.90)	197 (7.76)	135 (5.31)	50 (1.97)	168 (6.61)	106 (4.17)	203 (7.99)	141 (5.55)
	1FT7064				193 (7.60)	131 (5.16)	228 (8.98)	166 (6.54)		200 (7.87)	137 (5.39)	235 (9.25)	173 (6.81)
	1FT7066				225 (8.86)	162 (6.38)	260 (10.24)	198 (7.80)		231 (9.09)	169 (6.65)	267 (10.51)	204 (8.03)
	1FT7068				272 (10.71)	210 (8.27)	307 (12.09)	245 (9.65)		279 (10.98)	216 (8.50)	314 (12.36)	252 (9.92)
80	1FT7082		6 (0.24)	64.5 (2.54)	189 (7.44)	124 (4.88)	236 (9.29)	176 (6.93)	58 (2.28)	191 (7.52)	130 (5.12)	243 (9.57)	183 (7.20)
	1FT7084				236 (9.29)	175 (6.89)	288 (11.34)	228 (8.98)		242 (9.53)	182 (7.17)	294 (11.57)	234 (9.21)
	1FT7086				287 (11.30)	227 (8.94)	340 (13.39)	279 (10.98)		294 (11.57)	234 (9.21)	346 (13.62)	286 (11.26)
100	1FT7102		6.5 (0.26)	87 (3.43)	209 (8.23)	144 (5.67)	261 (10.28)	196 (7.72)	80 (3.15)	216 (8.50)	151 (5.94)	268 (10.55)	203 (7.99)
	1FT7105				296 (11.65)	231 (9.09)	348 (13.70)	283 (11.14)		303 (11.93)	238 (9.37)	355 (13.98)	290 (11.42)
	1FT7108				365 (14.37)	300 (11.81)	417 (16.42)	352 (13.86)		372 (14.65)	307 (12.09)	424 (16.69)	359 (14.13)

Shaft version with feather key

Flange 1

Flange 0



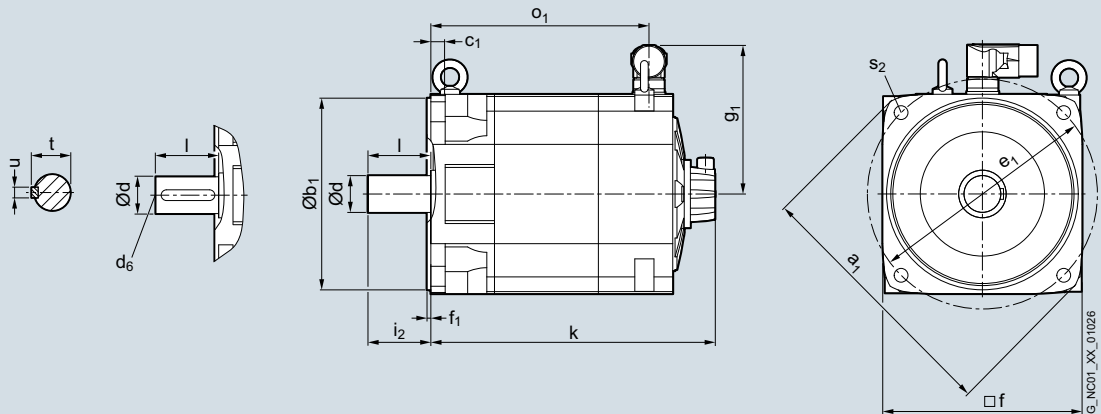
Dimensional drawings

For motor		Dimensions in mm (inches)										Connector size			Terminal box	Shaft extension DE		
Shaft height	Type	DIN IEC	a ₁ P	b ₁ N	c ₁ LA	e ₁ M	f AB	f ₁ T	i ₂ –	s ₂ S	g ₁ –	g ₁ –	g ₁ –	d D	d ₆ –	l E	t GA	u F
		1FT7 natural cooling, with connector/with terminal box, without/with brake																
132	1FT713...-5A		340 (13.39)	250 (9.84)	18 (0.71)	300 (11.81)	260 (10.24)	5 (0.20)	82 (3.23)	18 (0.71)	193.5 (7.62)	203 (7.99)	215.5 (8.48)	48 (1.89)	M16	82 (3.23)	51.5 (2.03)	14 (0.55)

Shaft height	Type	DIN IEC	without brake			with brake		
			k LB	Connector size Size 1.5 o ₁ –	Connector size Size 3 o ₁ –	k LB	Connector size Size 1.5 o ₁ –	Connector size Size 3 o ₁ –
132	1FT7132-5A		370.5 (14.59)	284.5 (11.20)	265.5 (10.45)	431 (16.97)	345 (13.58)	326 (12.83)
	1FT7134-5A		415.5 (16.36)	329.5 (12.97)	310.5 (12.22)	476 (18.74)	390 (15.35)	371 (14.61)
	1FT7136-5A		460.5 (18.13)	374.5 (14.74)	355.5 (14.00)	521 (20.51)	435 (17.13)	416 (16.38)
	1FT7138-5A		500.5 (19.70)	414.5 (16.32)	395.5 (15.57)	561 (22.09)	475 (18.70)	456 (17.95)

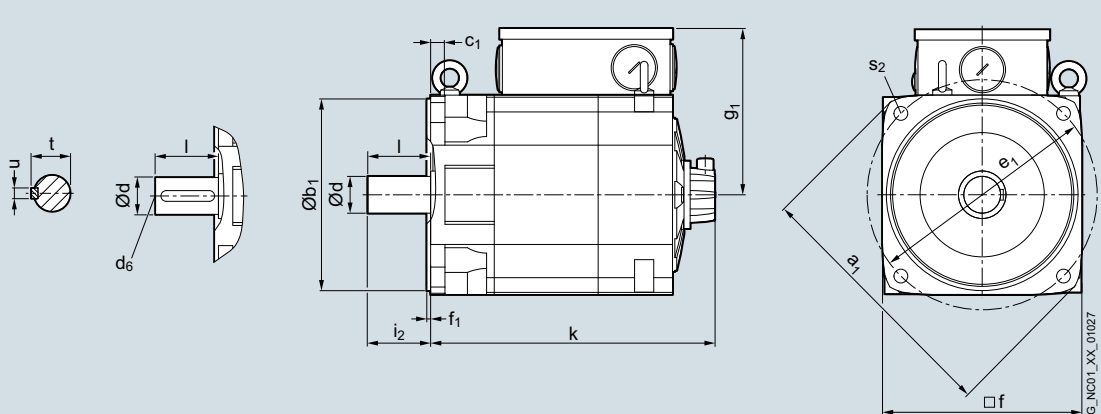
Version with connector

Shaft design with feather key



Version with terminal box

Shaft design with feather key



Dimensional drawings

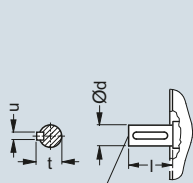
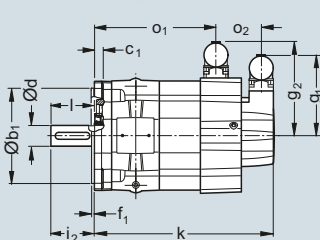
SIMOTICS S synchronous motors for SINAMICS S120

1FT7 without DRIVE-CLiQ – Water cooling

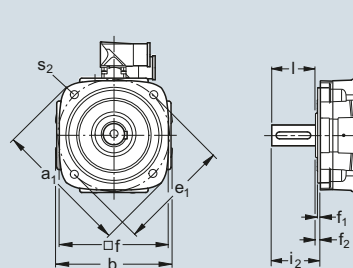
Dimensional drawings

For motor		Dimensions in mm (inches)										Signal connector			Power connector			Connector		
Shaft height	Type	DIN IEC	a ₁ P	b	b ₁ N	c ₁ LA	e ₁ M	f AB	f ₁ T	s ₂ S	Signal connector			Power connector			Connector			
											g ₁	g ₂	g ₂	g ₂	g ₂	g ₂	g ₂	o ₂	o ₂	o ₂
1FT7 water cooling, with connector, without/with brake																				
63	1FT706 . . . W		155 (6.10)	135 (5.31)	110 (4.33)	10 (0.39)	130 (5.12)	126 (4.96)	3.5 (0.14)	9 (0.35)	93 (3.66)	108 (4.25)	132.5 (5.22)	–	52 (2.05)	57 (2.24)	–			
80	1FT708 . . . W		194 (7.68)	165 (6.50)	130 (5.12)	11.5 (0.45)	165 (6.50)	155 (6.10)	3.5 (0.14)	11 (0.43)	93 (3.66)	–	140.5 (5.53)	168.5 (6.63)	–	50 (1.97)	67 (2.64)			
100	1FT710 . . -5W		245 (9.65)	206 (8.11)	180 (7.09)	13 (0.51)	215 (8.46)	196 (7.72)	4 (0.16)	14 (0.55)	93 (3.66)	–	159.5 (6.28)	187.5 (7.38)	–	55 (2.17)	72 (2.83)			

Shaft height	Type	DIN IEC	Flange 1 (1FT6-compatible) without/with brake					Flange 0 without/with brake					Shaft extension DE					
			i ₂	k LB	o ₁	o ₁	o ₁	f ₂	i ₂	k LB	o ₁	o ₁	o ₁	d D	d ₆	l E	t GA	u F
63	1FT7062		50 (1.97)	208 (8.19)	141 (5.55)	–	–	6 (0.24)	56.5 (2.22)	202 (7.95)	135 (5.31)	–	–	24 (0.94)	M8	50 (1.97)	27 (1.06)	8 (0.31)
	1FT7064			240 (9.45)	173 (6.81)	–	–			233 (9.17)	166 (6.54)	–	–					
	1FT7065			292 (11.50)	220 (8.66)	–	–			286 (11.26)	214 (8.43)	–	–					
	1FT7066			272 (10.71)	204 (8.03)	–	–			265 (10.43)	198 (7.80)	–	–					
	1FT7067			332 (13.07)	260 (10.24)	–	–			325 (12.80)	254 (10.00)	–	–					
	1FT7068			319 (12.56)	252 (9.92)	–	–			312 (12.28)	245 (9.65)	–	–					
80	1FT7082		58 (2.28)	248 (9.76)	–	183 (7.20)	–	6 (0.24)	64.5 (2.54)	241 (9.49)	–	176 (6.93)	–	32 (1.26)	M12	58 (2.28)	35 (1.38)	10 (0.39)
	1FT7084			299 (11.77)	–	234 (9.21)	–			293 (11.54)	–	228 (8.98)	–					
	1FT7085			319 (12.56)	–	254 (10.00)	237 (9.33)			312.5 (12.30)	–	247 (9.72)	231 (9.09)					
	1FT7086			351 (13.82)	–	286 (11.26)	–			345 (13.58)	–	279 (10.98)	–					
	1FT7087			379 (14.92)	–	314 (12.36)	297 (11.69)			372.5 (14.67)	–	307 (12.09)	291 (11.46)					
100	1FT7102		80 (3.15)	273 (10.75)	–	203 (7.99)	187 (7.36)	6.5 (0.26)	87 (3.43)	266 (10.47)	–	196 (7.72)	180 (7.09)	38 (1.50)	M12	80 (3.15)	41 (1.61)	10 (0.39)
	1FT7105			360 (14.17)	–	290 (11.42)	273 (10.75)			353 (13.90)	–	283 (11.14)	266 (10.47)					
	1FT7108			429 (16.89)	–	359 (14.13)	342 (13.46)			422 (16.61)	–	352 (13.86)	335 (13.19)					

Flange 1
(1FT6-compatible)Shaft version
with feather key

Flange 0



6_FWZ1_XX_00177

Dimensional drawings

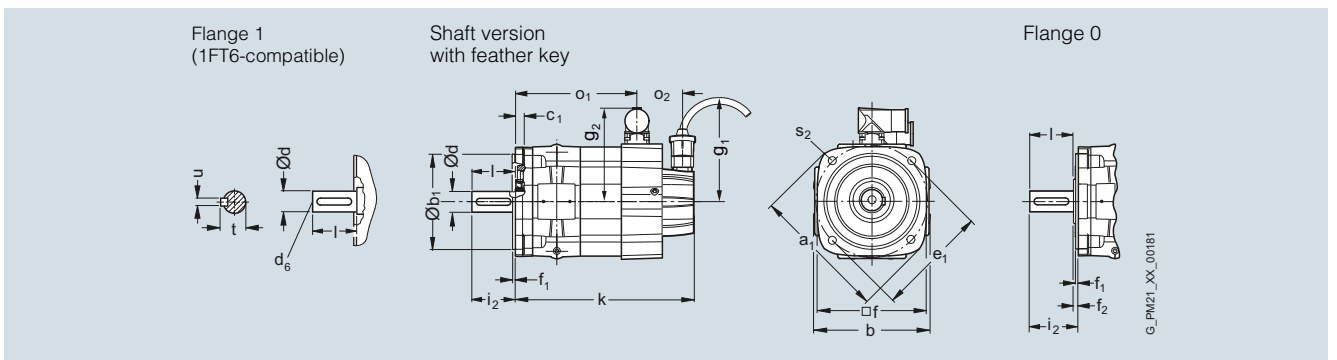
SIMOTICS S synchronous motors for SINAMICS S120

1FT7 with DRIVE-CLiQ – Water cooling

Dimensional drawings

For motor		Dimensions in mm (inches)										Signal connector			Power connector			Connector		
Shaft height	Type	DIN IEC	a ₁ P	b	b ₁ N	c ₁ LA	e ₁ M	f AB	f ₁ T	s ₂ S	Signal connector			Power connector			Connector			
											g ₁	g ₂	g ₂	g ₂	o ₂	o ₂	o ₂			
1FT7 water cooling, with connector, without/with brake																				
63	1FT706 . . . W		155 (6.10)	135 (5.31)	110 (4.33)	10 (0.39)	130 (5.12)	126 (4.96)	3.5 (0.14)	9 (0.35)	104.5 (4.11)	108 (4.25)	132.5 (5.22)	–	50 (1.97)	55 (2.17)	–			
80	1FT708 . . . W		194 (7.68)	165 (6.50)	130 (5.12)	11.5 (0.45)	165 (6.50)	155 (6.10)	3.5 (0.14)	11 (0.43)	104.5 (4.11)	–	140.5 (5.53)	168.5 (6.63)	–	48 (1.89)	63 (2.48)			
100	1FT710 . . -5W		245 (9.65)	206 (8.11)	180 (7.09)	13 (0.51)	215 (8.46)	196 (7.72)	4 (0.16)	14 (0.55)	104.5 (4.11)	–	159.5 (6.28)	187.5 (7.38)	–	53 (2.09)	69 (2.72)			

Shaft height	Type	DIN IEC	Flange 1 (1FT6-compatible) without/with brake					Flange 0 without/with brake					Shaft extension DE					
			i ₂	k LB	o ₁	o ₁	o ₁	f ₂	i ₂	k LB	o ₁	o ₁	o ₁	d D	d ₆	l E	t GA	u F
63	1FT7062		50 (1.97)	204 (8.03)	141 (5.55)	–	–	6 (0.24)	56.5 (2.22)	197 (7.76)	135 (5.31)	–	–	24 (0.94)	M8	50 (1.97)	27 (1.06)	8 (0.31)
	1FT7064			235 (9.25)	173 (6.81)	–	–			229 (9.02)	166 (6.54)	–	–					
	1FT7065			287 (11.30)	220 (8.66)	–	–			281 (11.06)	214 (8.43)	–	–					
	1FT7066			267 (10.51)	204 (8.03)	–	–			260 (10.24)	198 (7.80)	–	–					
	1FT7067			327 (12.87)	260 (10.24)	–	–			321 (12.64)	254 (10.00)	–	–					
	1FT7068			314 (12.36)	252 (9.92)	–	–			308 (12.13)	245 (9.65)	–	–					
80	1FT7082		58 (2.28)	243 (9.57)	–	183 (7.20)	–	6 (0.24)	64.5 (2.54)	237 (9.33)	–	176 (6.93)	–	32 (1.26)	M12	58 (2.28)	35 (1.38)	10 (0.39)
	1FT7084			295 (11.61)	–	234 (9.21)	–			288 (11.34)	–	228 (8.98)	–					
	1FT7085			314 (12.36)	–	254 (10.00)	237 (9.33)			308 (12.13)	–	247 (9.72)	231 (9.09)					
	1FT7086			346 (13.62)	–	286 (11.26)	–			340 (13.39)	–	279 (10.98)	–					
	1FT7087			374 (14.72)	–	314 (12.36)	297 (11.69)			368 (14.49)	–	307 (12.09)	291 (11.46)					
100	1FT7102		80 (3.15)	267 (10.51)	–	203 (7.99)	187 (7.36)	6.5 (0.26)	87 (3.43)	262 (10.31)	–	196 (7.72)	180 (7.09)	38 (1.50)	M12	80 (3.15)	41 (1.61)	10 (0.39)
	1FT7105			355 (13.98)	–	290 (11.42)	273 (10.75)			348 (13.70)	–	283 (11.14)	266 (10.47)					
	1FT7108			424 (16.69)	–	359 (14.13)	342 (13.46)			417 (16.42)	–	352 (13.86)	335 (13.19)					



6

Dimensional drawings

SIMOTICS S synchronous motors for SINAMICS S120

1FT7 without/with DRIVE-CLiQ – Forced ventilation

Dimensional drawings

For motor		Dimensions in mm (inches)											Connector size			Fan		
Shaft height	Type	DIN IEC	a ₁ P	b	b ₁ N	c ₁ LA	e ₁ M	f AB	f ₁ T	s ₂ S	Size 1.5		Size 3		h H	h ₁	h ₂	
											g ₂	g ₂	g ₃	g ₃				
1FT7 forced ventilation, with connector, without/with brake																		
63	1FT706 . . . S		155 (6.10)	158 (6.22)	110 (4.33)	10 (0.39)	130 (5.12)	126 (4.96)	3.5 (0.14)	11 (0.43)	125 (4.92)	–	102 (4.02)	26 (1.02)	143 (5.36)	135 (5.31)		
80	1FT708 . . . S		194 (7.68)	186 (7.32)	130 (5.12)	11.5 (0.45)	165 (6.50)	155 (6.10)	3.5 (0.14)	11 (0.43)	139 (5.47)	167 (6.57)	137.5 (5.41)	27 (1.06)	177 (6.97)	186.5 (7.34)		
100	1FT710 . . -5S		245 (9.65)	224 (8.82)	180 (7.09)	13 (0.51)	215 (8.46)	196 (7.72)	4 (0.16)	14 (0.55)	159 (6.26)	187 (7.36)	151 (5.94)	27 (1.06)	220 (8.66)	222 (8.74)		

Shaft height	Type	DIN IEC	Flange 1 (1FT6-compatible)					Flange 0						Shaft extension DE				
			without brake			with brake		without brake			with brake			d D	d ₆	l E	t GA	u F
			i ₂	k LB	o ₁	k LB	o ₁	f ₂	i ₂	k LB	o ₁	k LB	o ₁					
63	1FT7065-7S		50 (1.97)	380 (14.96)	220 (8.66)	380 (14.96)	220 (8.66)	6 (0.24)	56.5 (2.22)	373.5 (14.70)	214 (8.43)	373.5 (14.70)	214 (8.43)	24 (0.94)	M8	50 (1.97)	27 (1.06)	8 (0.31)
	1FT7067-7S			420 (16.54)	260 (10.24)	420 (16.54)	260 (10.24)			413.5 (16.28)	254 (10.00)	413.5 (16.28)	254 (10.00)					
80	1FT7084-5S		58 (2.28)	342 (13.46)	182 (7.17)	394 (15.51)	234 (9.21)	6 (0.24)	64.5 (2.54)	336 (13.23)	175 (6.89)	387 (15.24)	228 (8.98)	32 (1.26)	M12	58 (2.28)	35 (1.38)	10 (0.39)
	1FT7085-7S			414 (16.30)	254 (10.00)	414 (16.30)	254 (10.00)			408 (16.06)	247 (9.72)	408 (16.06)	247 (9.72)					
	1FT7086-5S			394 (15.51)	234 (9.21)	446 (17.56)	286 (11.26)			387 (15.24)	227 (8.94)	440 (17.32)	379 (14.92)					
	1FT7087-7S			474 (18.66)	314 (12.36)	474 (18.66)	314 (12.36)			468 (18.43)	307 (12.09)	468 (18.43)	307 (12.09)					
100	1FT7105		80 (3.15)	404 (15.91)	238 (9.37)	456 (17.95)	290 (11.42)	6.5 (0.26)	87 (3.43)	397 (15.63)	231 (9.09)	449 (17.68)	283 (11.14)	38 (1.50)	M12	80 (3.15)	41 (1.61)	10 (0.39)
	1FT7108			473 (18.62)	307 (12.09)	525 (20.67)	359 (14.13)			466 (18.35)	300 (11.81)	518 (20.39)	352 (13.86)					

